

Hall Ticket Number:

--	--	--	--	--	--	--	--	--	--	--	--	--	--	--	--	--	--	--	--

Code No. : 14565 N

VASAVI COLLEGE OF ENGINEERING (AUTONOMOUS), HYDERABAD

Accredited by NAAC with A++ Grade

B.E. (Mech. Engg.) IV-Semester Main Examinations, July-2023

Machine Drawing

Time: 3 hours

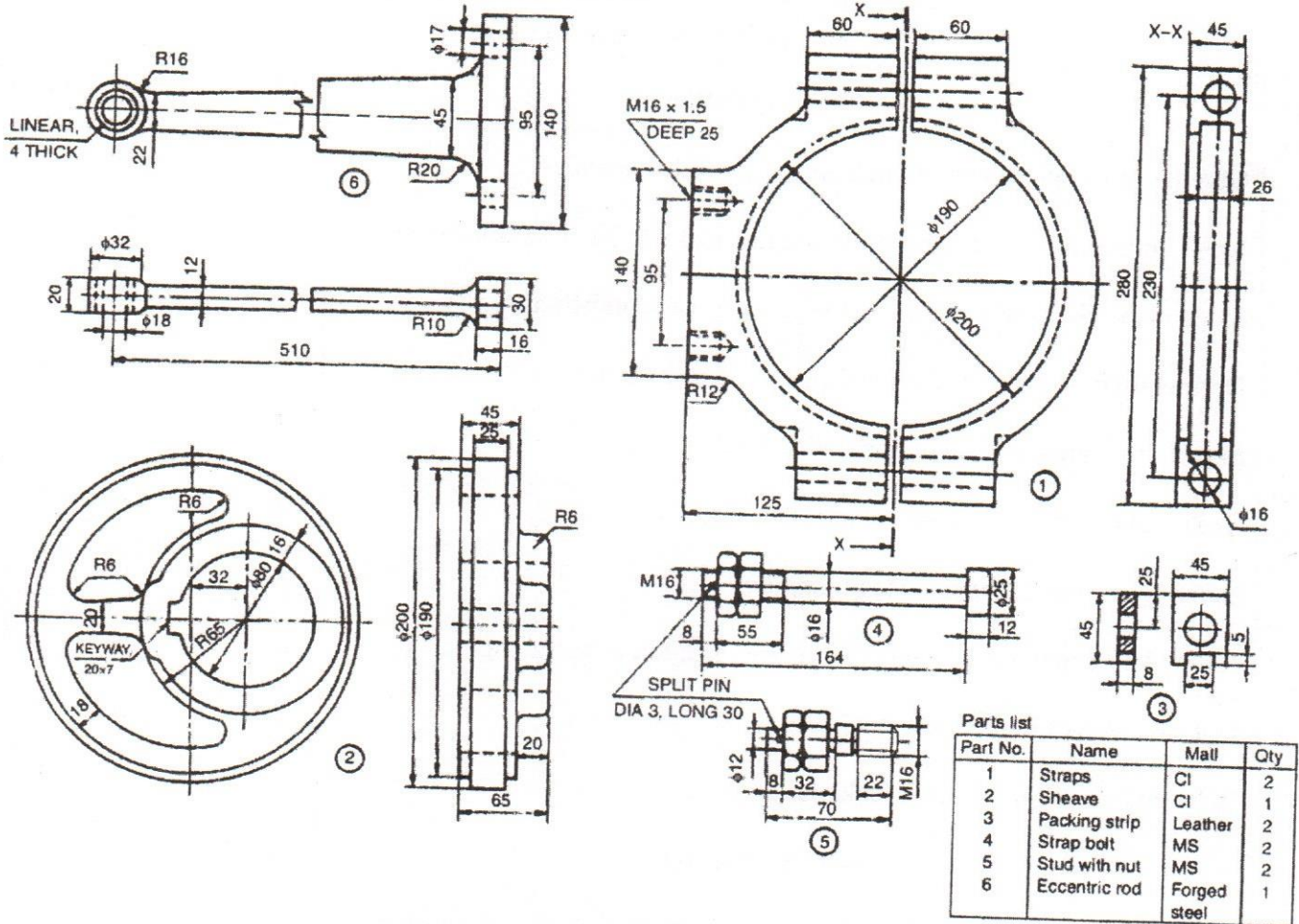
Max. Marks: 60

Note: Answer all questions from Part-A and Part-B

Part-A (10× 2 = 20 Marks)

Q. No.	Stem of the question	M	L	CO	PO
1.	Give two examples each of enlarging and reducing scales.	2	1	1	1
2.	Name four components which are not hatched when cut longitudinally.	2	1	1	1
3.	Sketch two views of a hexagonal bolt and give proportions.	2	1	2	1
4.	Define pitch, row pitch, diagonal pitch and margin in a riveted joints.	2	1	2	1
5.	Sketch two views of a sunk key with shaft and hub.	2	1	3	1
6.	Sketch two views of a solid journal bearing.	2	1	3	1
7.	Name four assemblies in a steam engine.	2	2	4	1
8.	Name the components connected to cross head in a steam engine.	2	2	4	1
9.	List two uses of a lathe tail stock.	2	2	5	1
10.	Write the function of screw jack and pipe vice.	2	2	5	1
Part-B (40 Marks)					
11.	Detailed drawings of an Eccentric are shown in Figure . Assemble the parts and draw the following views.				
a)	Half sectional front view with upper half in section.	30	4	4	2
b)	Left side view.	10	2	4	2

Contd... 2



Part drawing of Eccentric

M : Marks; L: Bloom's Taxonomy Level; CO; Course Outcome; PO: Programme Outcome

i)	Blooms Taxonomy Level - 1	20%
ii)	Blooms Taxonomy Level - 2	30%
iii)	Blooms Taxonomy Level - 3 & 4	50%
